



INSTRUCTION BULLETIN

No. 9009517
Machine: M20 / T20 /
M30
Published: 07-2015
Rev. 00

NOTE: DO NOT DISCARD the Parts List from the Instruction Bulletin. Place the Parts List in the appropriate place in the machine manual for future reference. Retaining the Parts List will make it easier to reorder individual parts and will save the cost of ordering an entire kit.

NOTE: Numbers in parenthesis () are reference numbers for parts listed in Bill of Materials.

Installation instructions for **kit number 9009516**

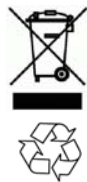
SYNOPSIS:

This kit contains the parts needed to replace the left overhead guard tube on M20 / T20 / M30 machines.

Please follow step-by-step instructions.

SPECIAL TOOLS / CONSIDERATIONS: NONE

(Estimated time to complete: 1 hour)



PROTECT THE ENVIRONMENT

Please dispose of packaging materials, used machine components such as batteries and fluids in an environmentally safe way according to local waste disposal regulations.

Always remember to recycle.

PREPARATION:

FOR SAFETY: Before leaving or servicing machine, stop on level surface, set parking brake, turn off machine, and remove key.

1. Remove the engine access panel from the operator compartment. Set the access panel and hardware aside. (Fig. 1)

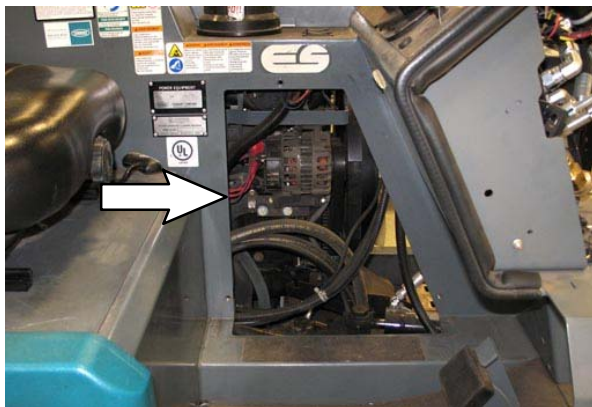


FIG. 1

INSTALLATION:

1. Remove hardware necessary to remove the left overhead guard tube from the machine. Set all hardware and components aside except the left overhead guard tube and the M10 hex screw and flat washer previously securing the left overhead guard tube to the pocket panel. (Fig. 2)

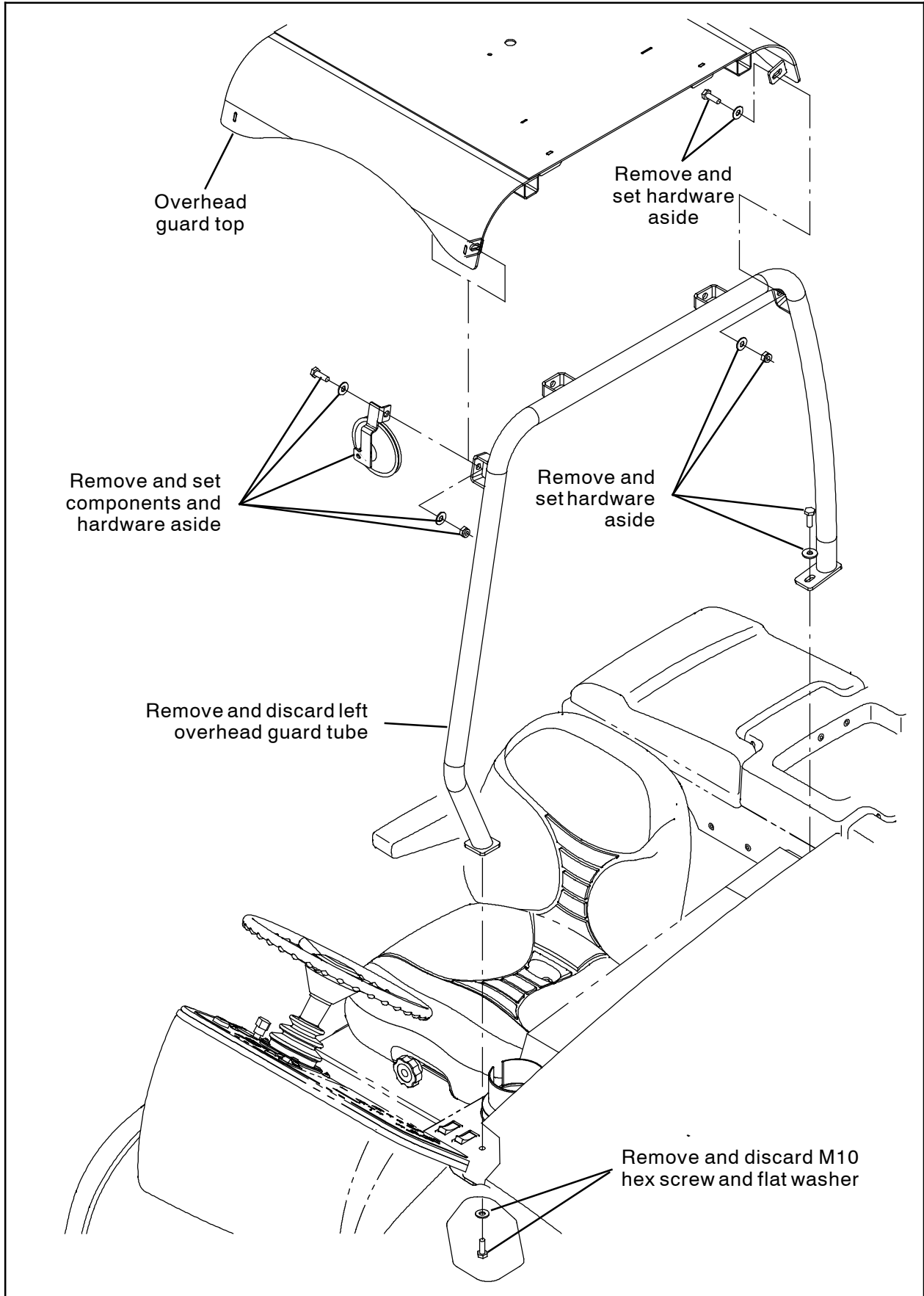


FIG. 2

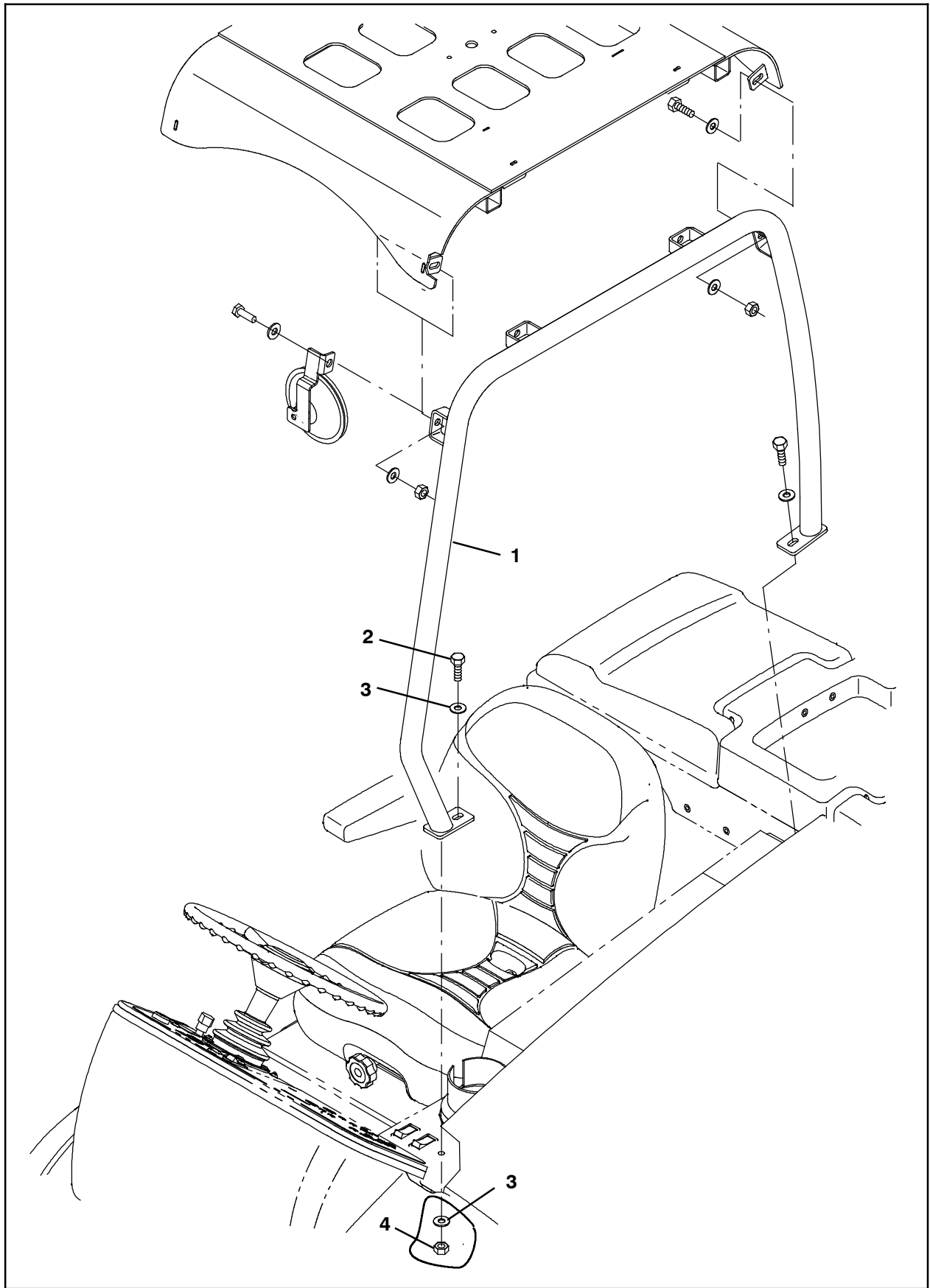


FIG. 3

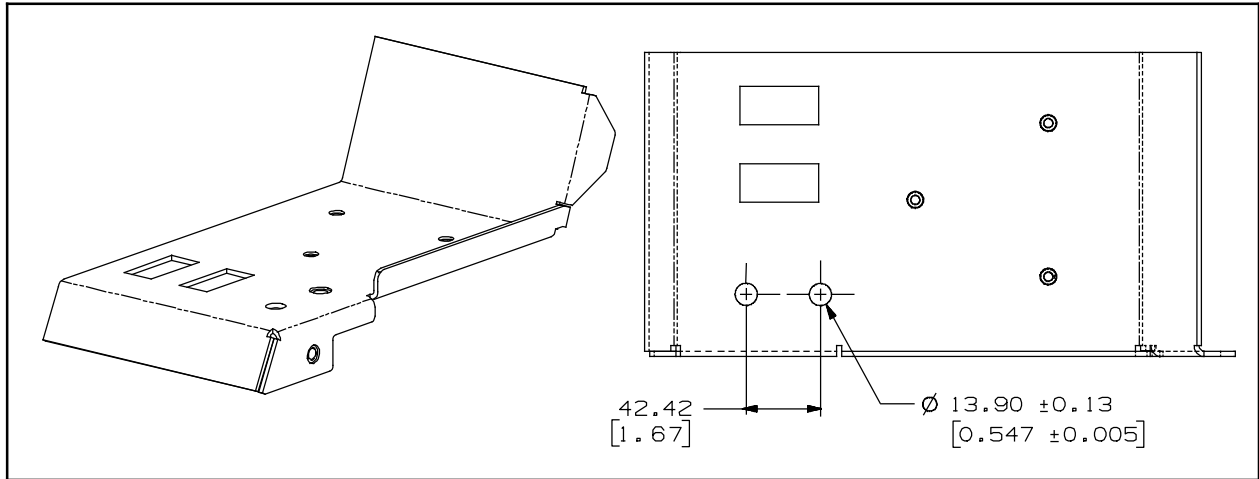


FIG. 4

2. Drill a 0.547 in. (13.90 mm) hole into the pocket panel. (Fig. 4)
3. Use saved hardware and the M10 hex screw (2), two flat washers (3), and the M10 hex nut (4) to install the left overhead guard tube (1) onto the machine. (Fig. 3)
4. Reinstall the engine access panel into the operator compartment. (Fig. 1)

Bill Of Materials For Tube Wldt Kit, OHG, LH, Replmt - 9009516

Ref.	Tennant Part No.	Description	Qty.
1	1069241	Tube Wldt, Leg, OHG, LH	1
2	39283	Screw, Hex, M10 X 1.50 X 25, 8.8	1
3	32492	Washer, Flat, 0.38, Std	2
4	07792	Nut, Hex, Flng, M10 X 1.50	1

TENNANT COMPANY
P. O. Box 1452
Minneapolis, MN 55440-1452